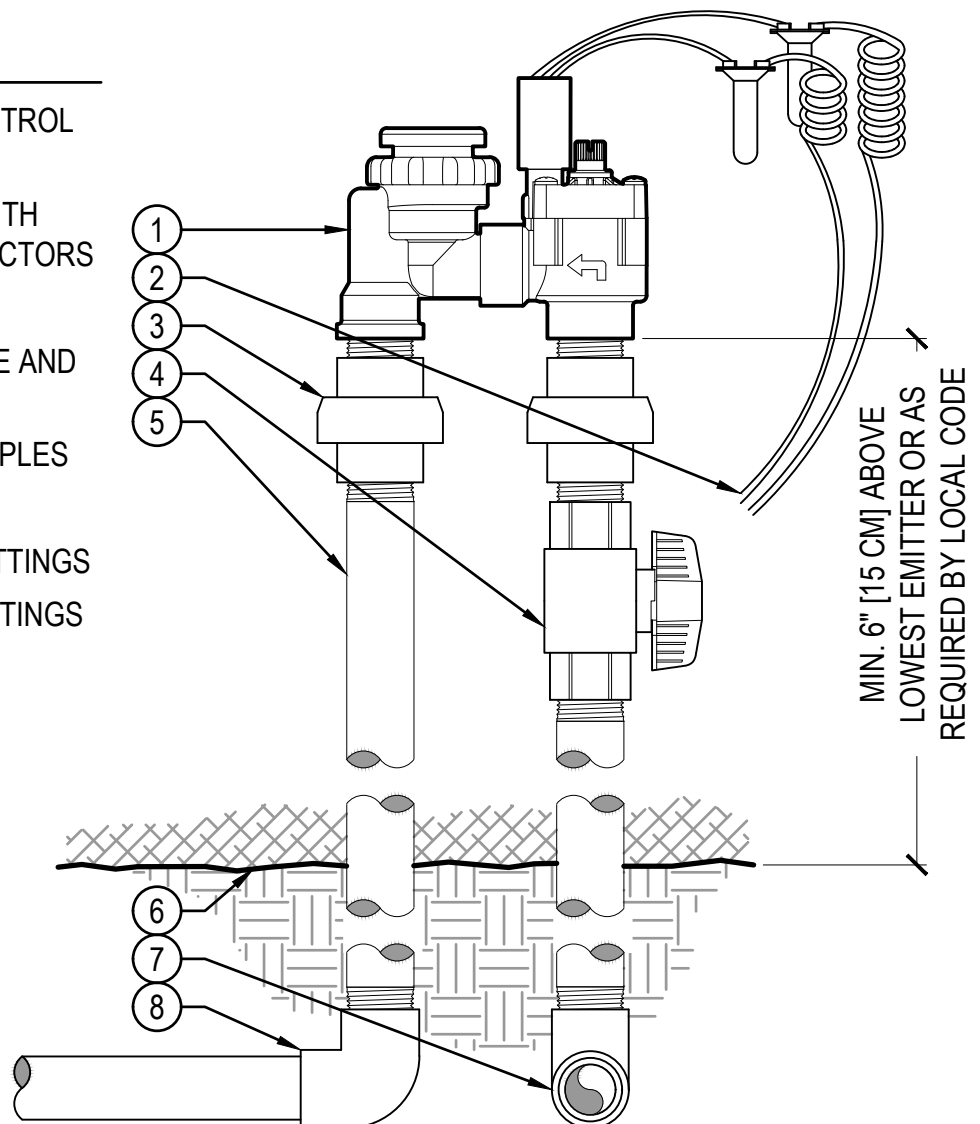


LEGEND

- ① HUNTER REMOTE CONTROL VALVE (PGV-075-ASV)
- ② 18-24" COILED WIRE WITH WATERPROOF CONNECTORS
- ③ THREADED UNIONS
- ④ ISOLATION VALVE, SIZE AND TYPE PER PLAN
- ⑤ SCHEDULE 80 PVC NIPPLES
- ⑥ FINISH GRADE
- ⑦ MAINLINE PIPE AND FITTINGS
- ⑧ LATERAL PIPE AND FITTINGS



ANTI-SIPHON VALVE (PGV-075-ASV) WITH UNIONS AND ISOLATION VALVE



Hunter® V.ASV.04

NO SCALE